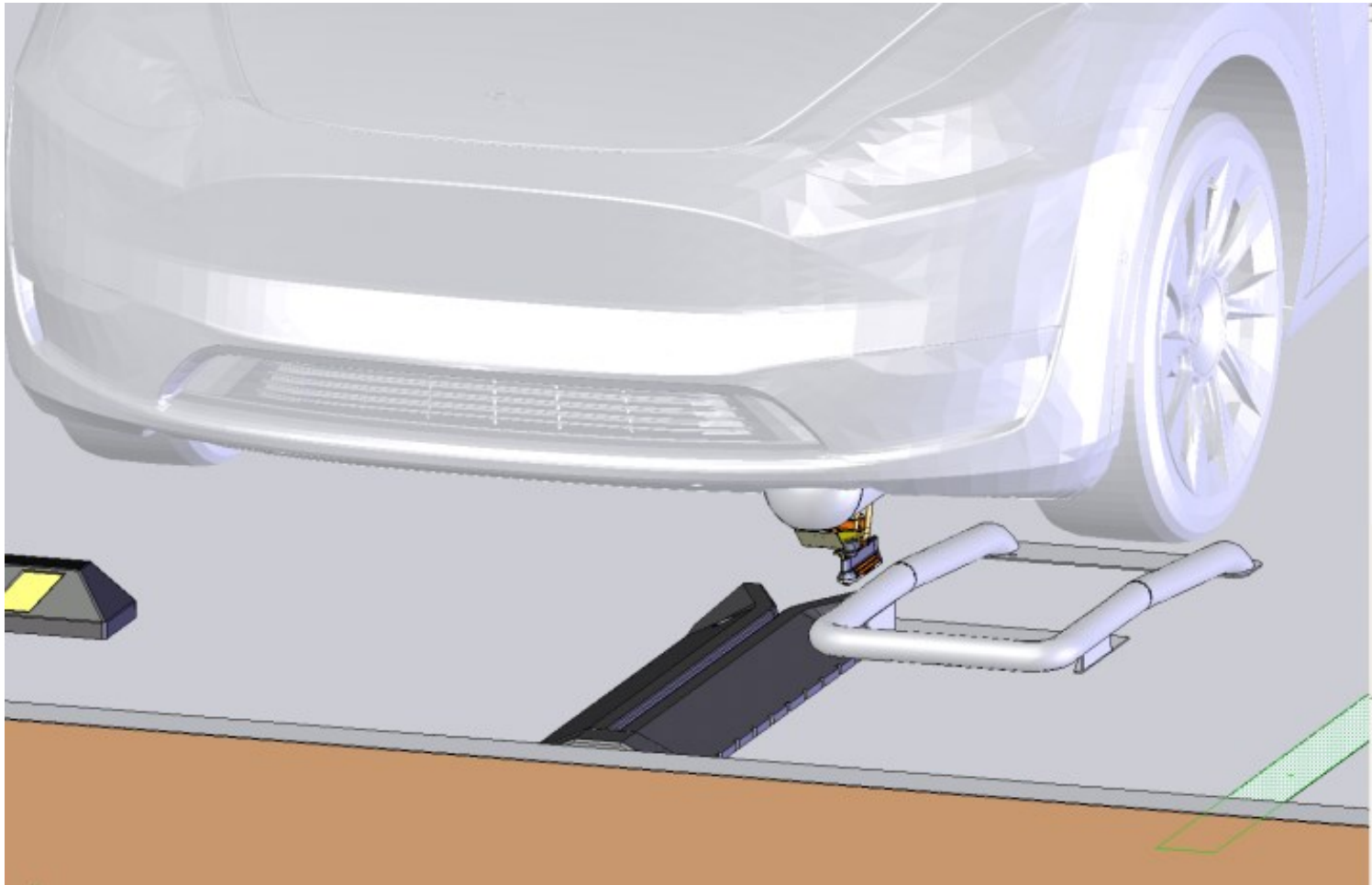


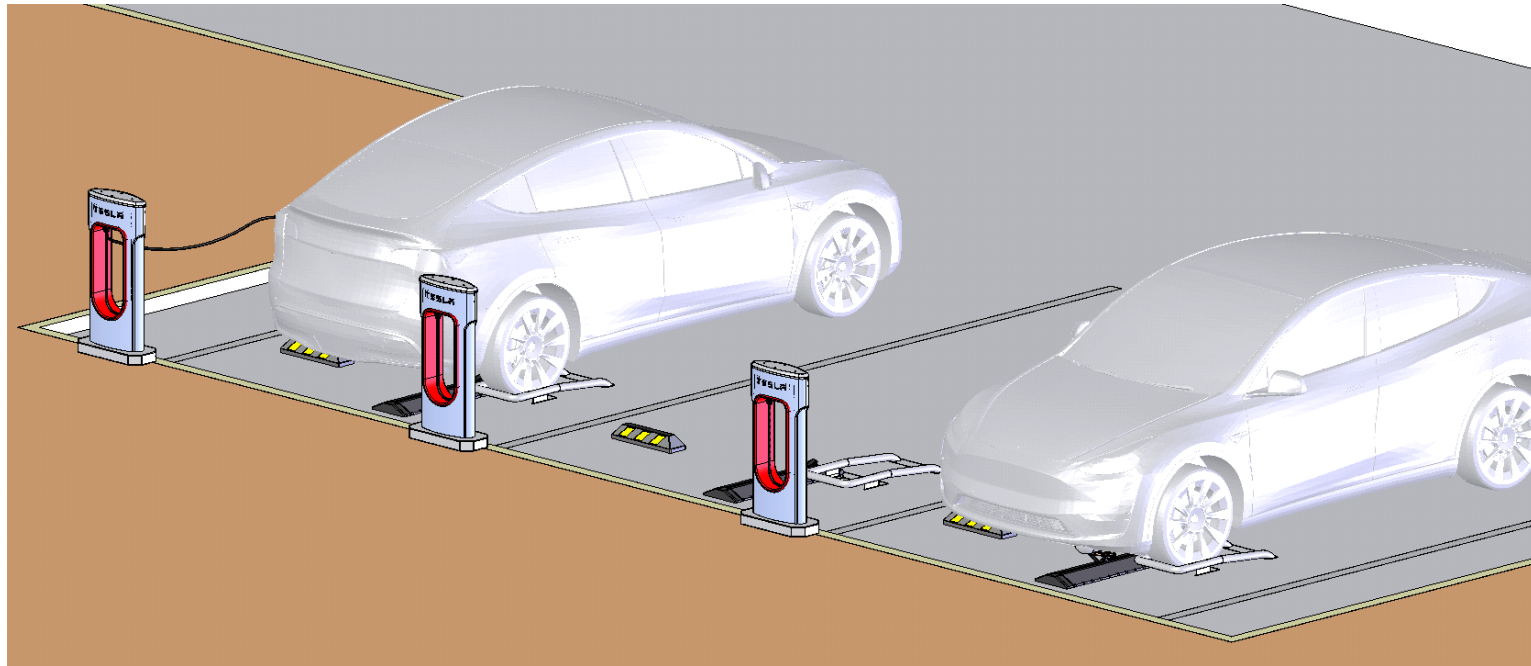
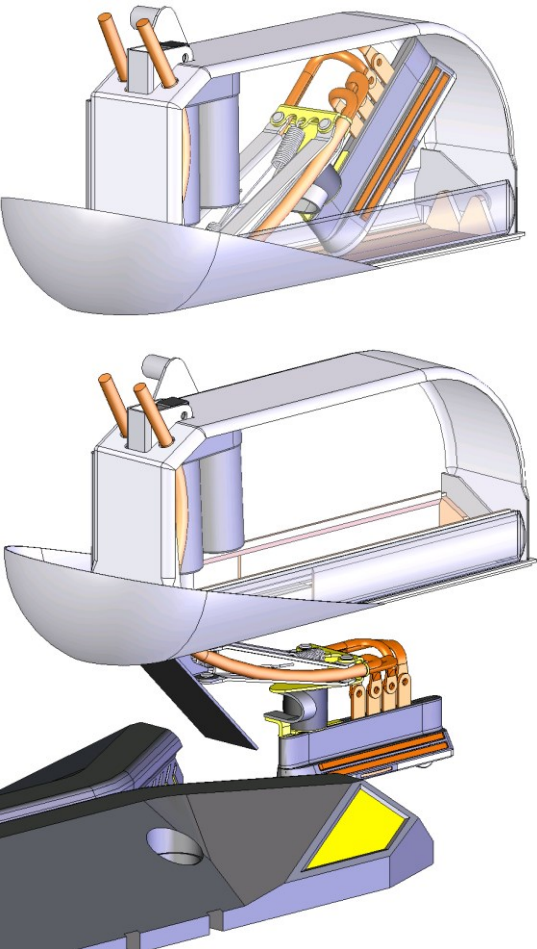
ZE-Charge AC/DC

Protected Cableless Static Charging Conductive Connection

contact@ze-drive.com ☎ +33 (0)6 8517 4162



ZE-Charge for cableless DC/AC conductive charging



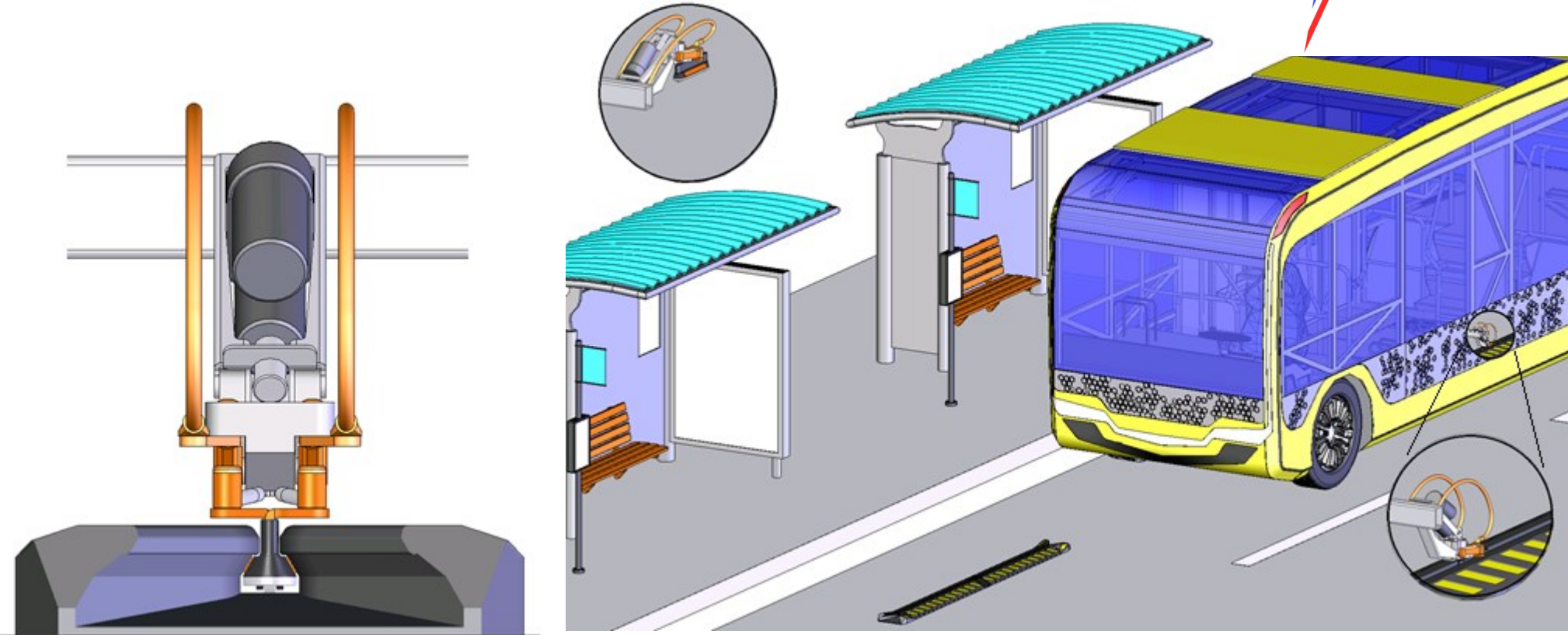
ZE-Charge : Pavement Bar for automated connective hook-up

- **Dual Voltage Fast Charging** : DC 400/1200 volts - 600 kW
 - Trucks (logistic hub, highway rest areas, stations...)
 - Car-Van in 400/800 volts - 200 kW

- **Slow Charge** : AC - 2 to 22 kW for street, private and public parkings.

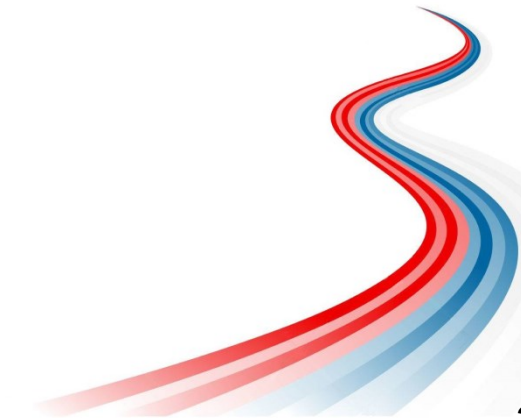
ZE-Charge comply with current standard for low voltage electrical protection (IEC 60529 standard)

ZE-Bus for automated Bus Stop Charging

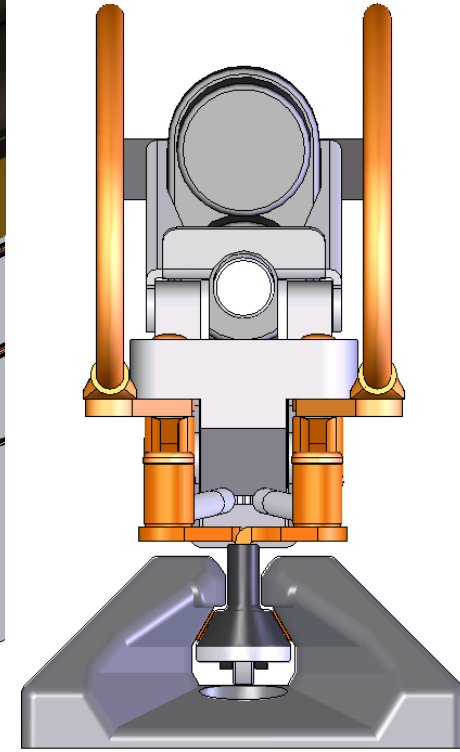
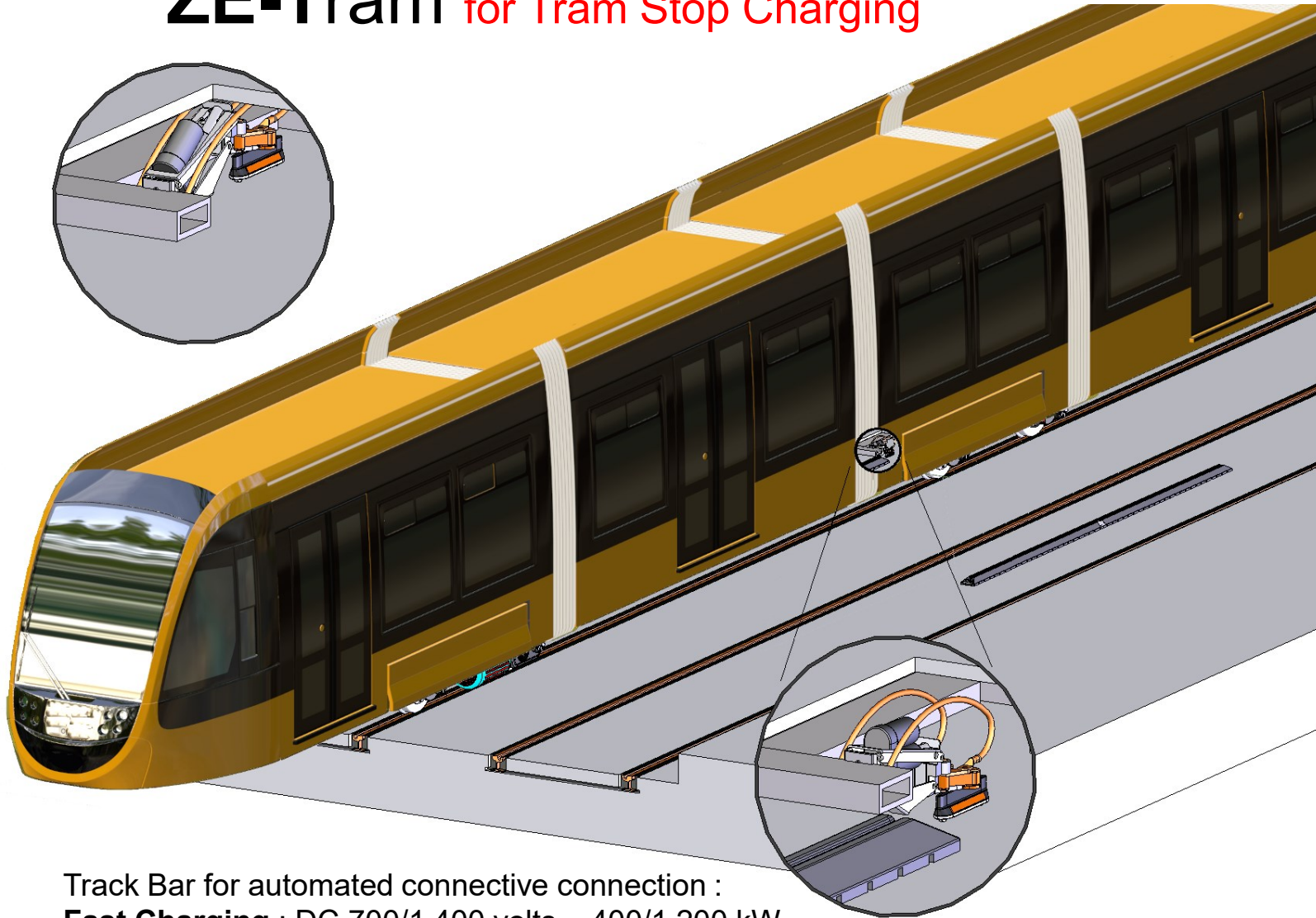


Track Bar for cableless automated connective connection :
Fast Charging : DC 800 volts – 400/600 kW

ZE-Bus comply with safety standard for low voltage electrical protection (IEC 60529 standard)



ZE-Tram for Tram Stop Charging



Track Bar for automated connective connection :
Fast Charging : DC 700/1 400 volts – 400/1 200 kW

ZE-Tram comply with safety standard for low voltage electrical protection (IEC 60529 standard)

